

## About SMI

### SMI A WORLD OF HIGH PRECISION

Swiss Medical Implant (SMI) specializes in the sale of equipment of dental surgery.

Implant systems and the prosthetic components that we sell meet the European standards of production, traceability and packaging.

### The unique implant design for maximum stability and esthetic excellence.

SMI is a leader in innovative restorative and esthetic dental solutions, providing dental professionals with state-of-the-art evidence-based tooth-to-root solutions.

At SMI, we aim to create value for patients and customers through the benefits of the products and solutions we provide.

We offer dental implants suitable for all indications at all types of bone and all surgical procedures for a range of compatible. All our products offer ease of use, versatility, and safety while improving the preservation of bone and soft tissue.

SMI improves the lives of dentists and patients around the world with the leading technology in dental implant systems.

A large selection of our products allows providing all the patients with individual approach considering all anatomic features of the jaws and guarantees proper esthetical qualities.



New generation engine: 1 Micron Precision



High initial stability even in compromised bone situations.

The original tapered implant mimicking the shape of a natural tooth root is designed for high initial stability and is ideal for Immediate Function in both extraction sockets and healed sites.

Cover your clinical needs with only one system. Whatever your patient requirements and personal preference, **SMI** options ensure total treatment flexibility.

## Regulatory Compliance:

**SMI** products meet and exceed the highest standards set by the **FDA** and other regulatory agencies.

All **SMI** products are **CE** marked.

**SMI** complies with **ISO** 13485:2003 & 9001:2008.

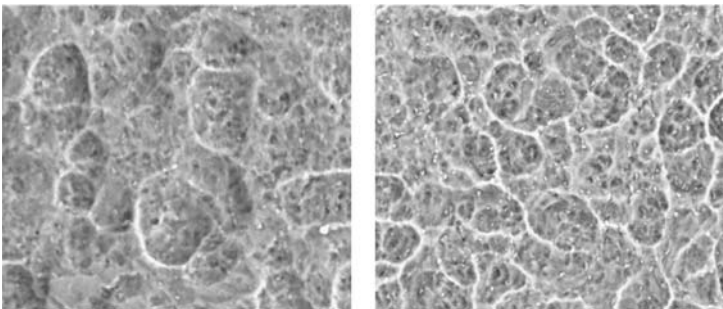
All the implants and prosthetic components are covered by a lifetime product warranty.



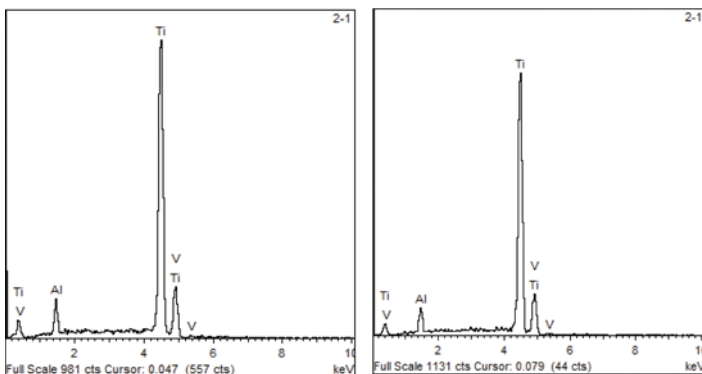
Acid Treatment – implants' view



Acid Treatment – surface structure



Acid Treatment – surface chemistry



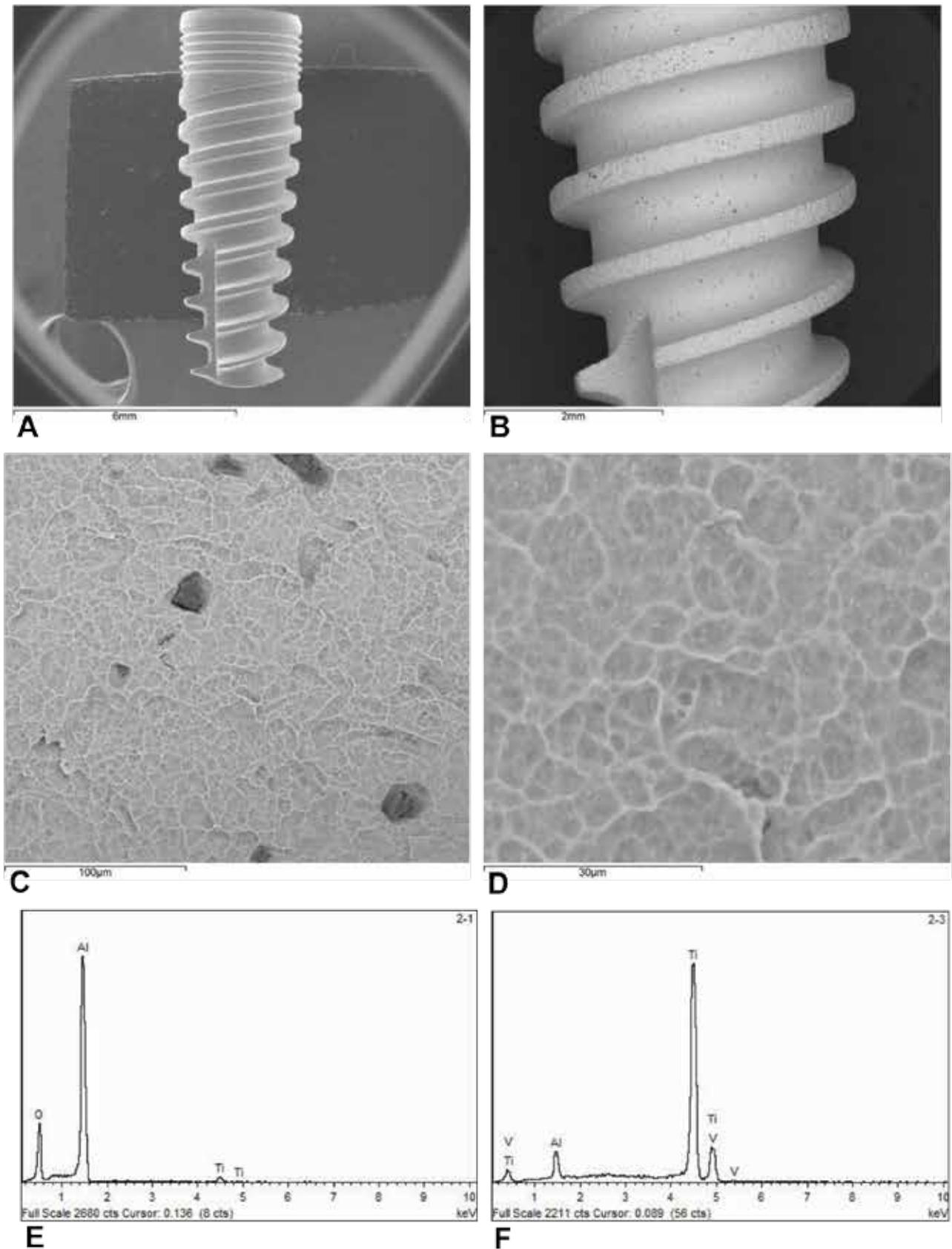


Figure 1

A-D- SEM images of implant SMI, different magnifications

E- EDS spectrum from contaminations on the surface

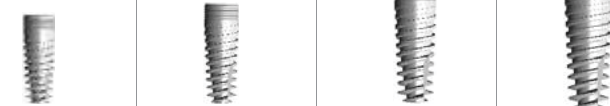
F- EDS spectrum from a clear area on the surface of the implant

# Dental Spiral Implant

## CHARANGA



3.0 mm



10 mm    11.5 mm    13 mm    16 mm

PC1030    PC1130    PC1330    PC1630



3.5 mm



8 mm    10 mm    11.5 mm    13 mm    16 mm

PC0835    PC1035    PC1135    PC1335    PC1635



3.75 mm

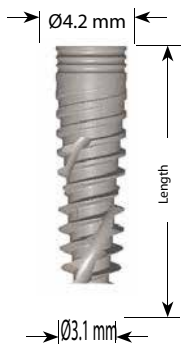


6 mm    8 mm    10 mm    11.5 mm    13 mm    16 mm







PC0638    PC0838    PC1038    PC1138    PC1338    PC1638

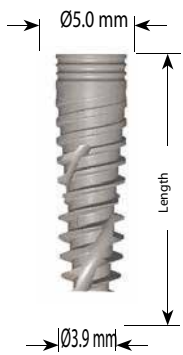
# Dental Spiral Implant

## CHARANGA









### 4.2 mm

						
6.25 mm	8 mm	10 mm	11.5 mm	13 mm	16 mm	
PC0642	PC0842	PC1042	PC1142	PC1342	PC1642	








### 5.0 mm

						
6.25 mm	8 mm	10 mm	11.5 mm	13 mm	16 mm	
PC0650	PC0850	PC1050	PC1150	PC1350	PC1650	



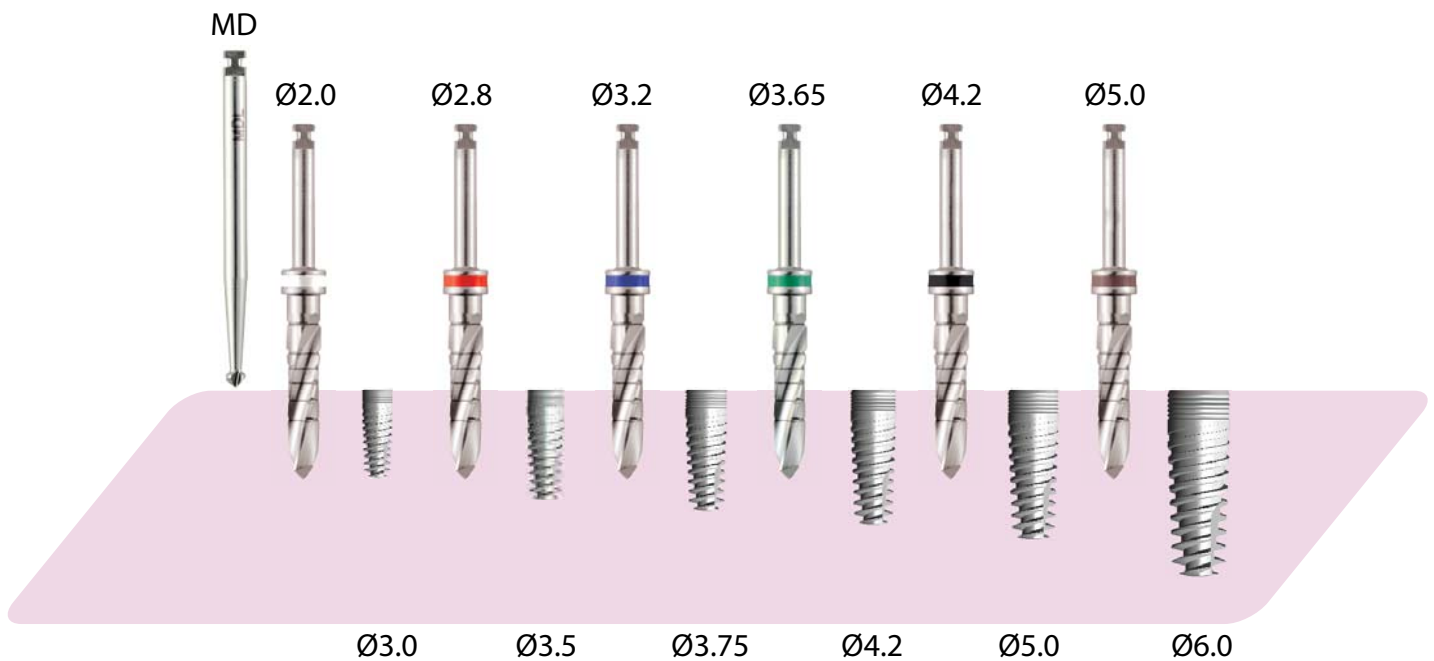
### 6.0 mm

						
6.25 mm	8 mm	10 mm	11.5 mm	13 mm		
PC0660	PC0860	PC1060	PC1160	PC1360		

# Packaging Box



# Drill Sequence



# Dental Classic Implant







## BOLERO

	<b>3.3 mm</b>						
	8mm	10mm	11.5mm	13mm	16mm		
	CY 0833	CY1033	CY 1133	CY 1333	CY 1633		
	<b>3.75 mm</b>						
	8mm	10mm	11.5mm	13mm	16mm		
	CY 0838	CY 1038	CY 1138	CY 1338	CY 1638		
	<b>4.2 mm</b>						
	6.25	8	10	11.5	13	16	
	CY 0642	CY 0842	CY 1042	CY 1142	CY 1342	CY 1642	
	<b>5.0 mm</b>						
	6.25	8	10	11.5	13	16	
	CY 0650	CY 0850	CY 1050	CY 1150	CY 1350	CY 1650	
	<b>6.0 mm</b>						
	6.25	8	10	11.5	13		
	CY 0660	CY 0860	CY 1060	CY 1160	CY 1360		






# Analogs For All Platform

					
	Ø3.75mm	Ø5.0mm	Ø3.0mm		
	SIA-3.75	SIA-5.0	SIA-3.0		







## Transfers

					
	9mm	13mm	13mm narrow	13mm clip	9mm clip
	ST-9	ST-13	STN-3.8	STC-13	STC-9

## Casting Abutments

					
	Titanium Plastic Abutment	Plastic Abutment with Hex	Plastic Abutment non Hex	Plastic Abutment wide	
	AP-3.75	SACH	SACN	CPW-3.75	

## Transfers Screen Abutments






					
	SPUT 1mm	SPUT 2mm	SPUT 3mm	SPUT 4mm	PFTA



## Staright Abutments

						
	5mm	7mm	9mm	11mm	13mm	15mm
	STA-5	STA-7	STA-9	STA-11	STA-13	STA-15

## Shoulder Abutments

					
	L=1mm	L=2mm	L=3mm	L=4mm	
	STSA-1	STSA-2	STSA-3	STSA-4	

## Narrow Abutments

					
	5mm	7mm	9mm	11mm	13mm
	STNA-5	STNA-7	STNA-9	STNA-11	STNA-13

## Angular Abutments 15°

					
	15°-9	15°-11	15°-13		
	STAA-15	STAA-15.-11	STAA-15-L		

## Angular Abutments 25°

					
	25°-9	25°-11	25°-13		
	STAA-25	STAA-25-11	STAA-25-L		

## Angular Abutments 35°








## Angular Abutments 45°








## Anatomic Straight Abutments Ø3.75

					
	1mm	2mm	3mm	4mm	
	STSA-01	STSA-02	STSA-03	STSA-04	

## Angular Aesthetic Abutment 15°

					
	15°-1	15°-2	15°-3	15°-4	
	STAA-15°-1	STAA-15°-2	STAA-15°-3	STAA-15°-4	

## Angular Aesthetic Abutment 25°

					
	25°-1	25°-2	25°-3	25°-4	
	STAA-25°-1	STAA-25°-2	STAA-25°-3	STAA-25°-4	

## Drills with External Irrigation

						
2.00	2.50	2.80	3.20	3.65	4.2	5.2
PD 200 L16	TD 250 L16	TD 280 L16	TD 320 L16	TD 365 L16	TD 420 L16	TD 520 L16

## Ball Attachment

	0.5mm	1mm	2mm	3mm	4mm	5mm	6mm	7mm
	SBA-0.5	SBA-1	SBA-2	SBA-3	SBA-4	SBA-5	SBA-6	SBA-7
Metal Cap	Silicon Cap		Silicon Yellow Cap		Silicon Pink Cap			

## Healing Caps Normal 4.6mm

	2mm	3mm	4mm	5mm	6mm	7mm	8mm
	SHC-2	SHC-3	SHC-4	SHC-5	SHC-6	SHC-7	SHC-8

## Healing Caps Narrow 3.8mm

	3mm	4mm	5mm	6mm	7mm		
	SHCN-3	SHCN-4	SHCN-5	SHCN-6	SHCN-7		

## Healing Caps Wide 5.5mm

	2mm	3mm	4mm	5mm	6mm	7mm	
	SHCW-2	SHCW-3	SHCW-4	SHCW-5	SHCW-6	SHCW-7	

## Standart Healing Caps Slim 2 mm

	2mm	3mm	4mm	5mm	6mm
	SHCS-2	SHCS-3	SHCS-4	SHCS-5	SHCS-6

## Standart Healing Caps Extra Wide 6.3 mm

	2mm	3mm	4mm	5mm	
	SHCXW-2	SHCXW-3	SHCXW-4	SHCS-5	

## Standard Locator System

	SL-1	SL-2	SL-3	SL-4	SL-5	SL-6

## Multi Unit One Piece


				
ANALOG SAMU-A	TRANSFER SAMU-T	TITANIUM SLEEVE SAMU-TS	PLASTIC SLEEVE SAMU-PS	

## Angular Multi Unit 17°

			
	17°-1	17°-2	17°-3
	SAMU-1710	SAMU-1720	SAMU-1730













## Angular Multi Unit 30°

			
	30°-1	30°-2	30°-3
	SAMU-3010	SAMU-3020	SAMU-3030

## Straight Multi Unit



# Instruments

					
RDK 242070	RDK 242150	RDK 125070	RDK 125150	HDK-125100	HDK-125150
					
KOD	MM-A	MM-I	SPP-100	SPP-160	TPD
					
HW 635	SR	STR	DPKOP	Marking Drill MD	Drill Extender TDE



Surgical Kit - Plastic Kit

